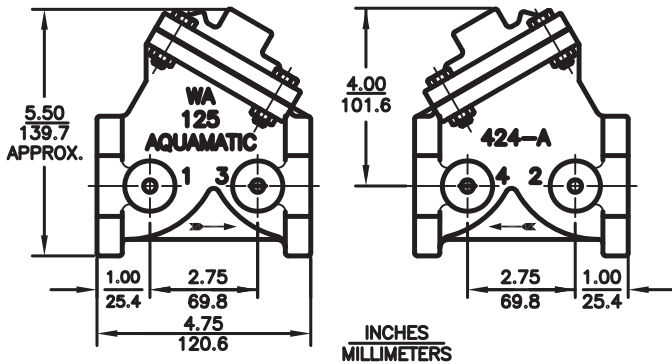


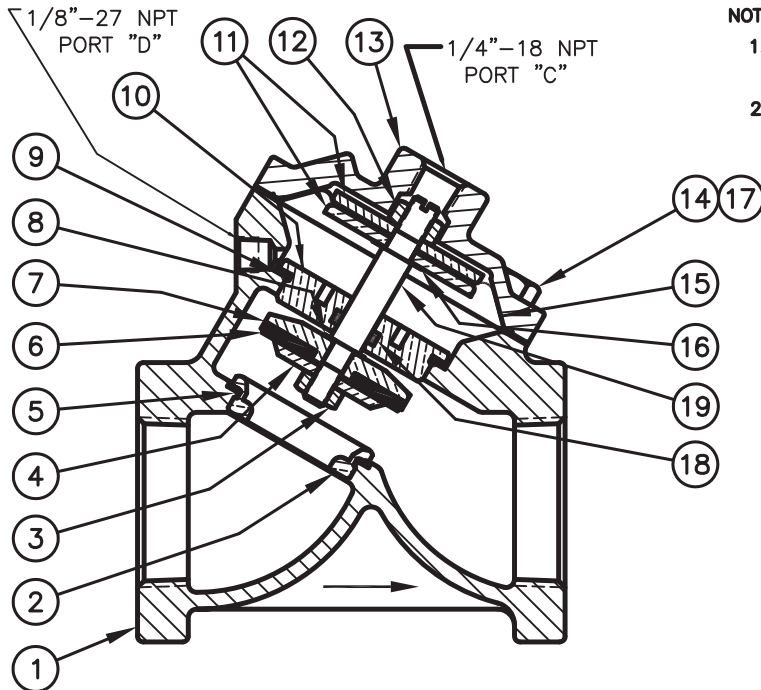
1-1/4" & 1-1/2" AIR VALVE - STANDARD MODEL



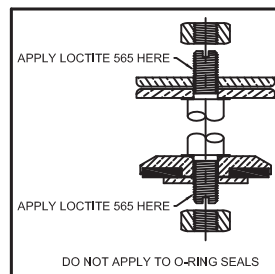
REPAIR PARTS KITS		
DESCRIPTION	PART NO.	
DIAPHRAGM & SEALS KIT CONSISTS OF ITEM NO'S 3,5,6,8,9,12,15,16,18	1070107 (AV4-RA)	1070502 (AV4-RAHT)
	INCLUDES DISC 1074234 (424-JH), DIAPHRAGM	INCLUDES DISC 1074235 (424-JT), DIAPHRAGM
	1074222 (424-FB)	1074224 (424-FV)
INT. PARTS KIT (NORM. OPEN) CONSISTS OF STANDARD ITEM NO'S 4,7,10,11(2),19	1070119 (424-RF)	
SEAT (ITEM NO. 2)	1074245 (424-MO)	

ASSEMBLY TOOLS	
DESCRIPTION	PART NO.
FOR INSTALLATION & REMOVAL OF SEAT (ITEM #2) (TOOL NOT SHOWN)	1074247 (424-MT)
FOR INSTALLATION & REMOVAL OF SHAFT GUIDE (ITEM #10) (TOOL NOT SHOWN)	1074227 (424-GT)

- NOTE:
1. AMERICAN NATIONAL STANDARD TAPER PIPE THREADS (NPT) PER ANSI B2.1-1968
 2. VALVES AVAILABLE WITH B.S.P.T. END CONNECTIONS.



VAVD-0000-80000 (1-1/4" NPT)
1072475 (VAVE-0000-80000) (1-1/2" NPT)
NORMALLY OPEN (STANDARD)

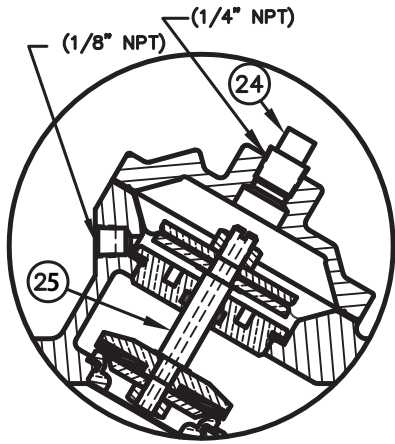


NO.	DESCRIPTION		STD	PART NO.	QTY.
1	BODY	CAST IRON	1-1/4" NPT	* 1074196 (424-A5)	1
			1-1/2" NPT	* 1074199 (424-A6)	
2	SEAT (REQ'S ASSY TOOL)	BRASS		* 1074245 (424-MO)	1
3	HEX NUT (1/4-28)			* 1263852	1
4	DISC PLATE	BRASS		* 1074237 (424-K)	1
5	O-RING	FKM		* 1071793 (ORV-028)	1
6	DISC	HYCAR		* 1074234 (424-JH)	1
		AFLAS			
		GLASS FILLED TEFLON		1074235 (424-JT)	
7	DISC HOLDER	BRASS		* 1074229 (424-H)	1
8	GASKET	COPPER		* 1073948 (200-GG)	1
9	O-RING	FKM		* 1071806 (ORV-132)	1
10	SHAFT GUIDE (REQ'S ASSY TOOL)	BRASS		* 1074225 (424-GG0)	1
11	DIAPHRAGM PLATE	BRASS		* 1074220 (424-D)	2
12	HEX NUT (5/16-24)			* 1263853	1
13	CAP	CAST IRON		* 1074202 (424-C)	1
14	HEX SCREW 1/4"-20	PLATED STEEL		* 1072399 (SCZ-0007)	4
		BUNA N		* 1074222 (424-FB)	
15	DIAPHRAGM	FKM		1074224 (424-FV)	1
16	GASKET	COPPER		* 1074252 (424-R)	1
17	HEX NUT 1/4"-20	PLATED STEEL		1071656 (NUZ-0008)	4
18	O-RING	AFLAS		* 1071661 (ORA-110)	1
19	SHAFT (NORMALLY OPEN)			* 1074239 (424-L)	1

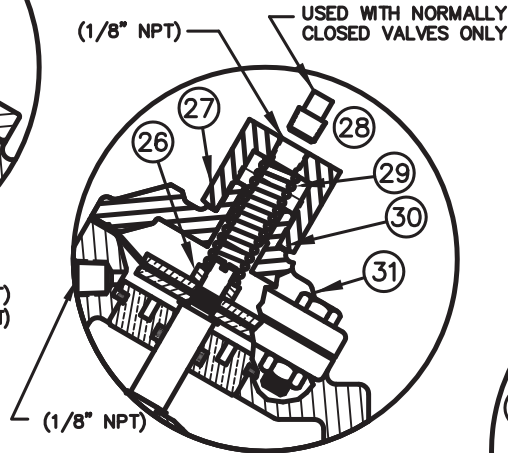
SEE REVERSE SIDE FOR
CONFIGURATION OPTIONS

FORM NO. 1077636

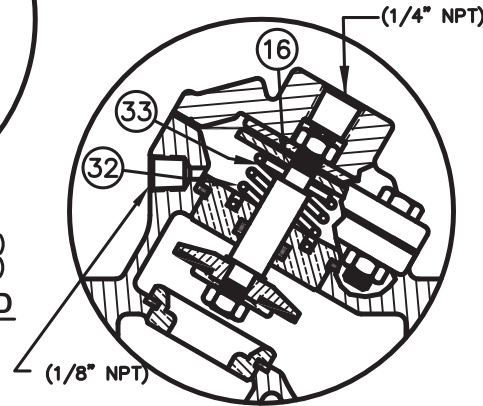
F	ADDED LOCTITE APPLICATION BOX INFO	1713	MSM	20JUN07	
REV	DESCRIPTION	ECO	DWN	DATE	APVD
		16605 West Victor Rd New Berlin, WI 53151 262-326-0100 www.aq-matic.com			
SERIES AV4 DIAPHRAGM VALVE STANDARD MODEL					
DRAWN		DATE		DRAWING NO.	
JWB		14MAY01		1084040	



VAVD-0030-90000 (1-1/4" NPT)
1072479 (VAVE-0030-90000) (1-1/2" NPT)
NORMALLY CLOSED



1072472 (VAVD-0002-90000) (1-1/4" NPT)
1072477 (VAVE-0002-90000) (1-1/2" NPT)
SPRING ASSIST CLOSED



1072471 (VAVD-0001-90000) (1-1/4" NPT)
1070064 (VAVE-0001-90000) (1-1/2" NPT)
SPRING ASSIST OPEN


NO.	DESCRIPTION	STD	PART NO.	QTY.
NORMALLY CLOSED MODEL				
24	PIPE PLUG (1/4" N.P.T.)	PLATED STEEL *	1071918 (PLZ-0008)	1
25	SHAFT (NORMALLY CLOSED)	*	1074241 (424-LL)	1
SPRING ASSIST CLOSED MODEL				
26	CENTERING NUT	*	1074276 (424-X)	1
27	RETAINER NUT	BRASS *	1074274 (424-TT)	1
28	PIPE PLUG (1/8" N.P.T.)	BRASS *	1071903 (PLB-0007)	1
29	SPRING	*	1074270 (424-SS)	1
30	O-RING	*	1071674 (ORB-020)	1
31	CAP	CAST IRON *	1074208 (424-CC)	1
SPRING ASSIST OPEN MODEL				
16	GASKET	COPPER *	1074252 (424-R)	1
32	SPRING	*	1236766	1
33	CENTERING WASHER	BRASS *	1074382 (426-HA)	1

SEE REVERSE SIDE FOR
STANDARD NORMALLY OPEN MODEL

REPAIR PARTS KITS	
DESCRIPTION	PART NO.
INT. PARTS KIT (NORM. CLOSED) CONSISTS OF STANDARD ITEM NO'S 4,7,10,11(2),25	1070130 (424-RG)
INT. PARTS KIT (SPRING ASSIST CLOSED) CONSISTS OF STANDARD ITEM NO'S 26,29,30	1074265 (424-SC)
INT. PARTS KIT (SPRING ASSIST OPEN) CONSISTS OF STANDARD ITEM NO'S 16,32,33	1074268 (424-SO)

CONVERSION KITS	
DESCRIPTION	PART NO.
CONVERSION KIT (SPRING ASSIST CLOSED) CONSISTS OF STANDARD ITEM NO'S 26 THRU 31	1074266 (424-SCC)
CONVERSION KIT (SPRING ASSIST OPEN) CONSISTS OF STANDARD ITEM NO'S 10,16,32,33	1074269 (424-SOC)

FORM NO. 1077636

F	SEE REVERSE SIDE	1713	MSM	20JUN07	
REV	DESCRIPTION	ECO	DWN	DATE	APVD
		16605 West Victor Rd New Berlin, WI 53151 262-326-0100 www.aq-matic.com			
SERIES AV4 DIAPHRAGM VALVE STANDARD MODEL					
DRAWN	JWB	DATE	14MAY01	DRAWING NO.	1084040